

TLS 2 POST LIFT SYMMETRIC & ASYMMETRIC

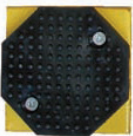
Capacity 10,000 lbs

- Exclusive 2n1® lifting arms for asymmetric or symmetric vehicle positioning. Improves versatility and ease of use.
- 1½" stack pad lift system for faster set up. "V" and "P" models also 3" & 6" height adapters for SUV's and trucks.
- Proven twin hydraulic cylinders and cable equalization.
- More steel for more strength. Reinforced columns for better stability.
- Two installation heights of 138½" or 148½" (extended height "P" model is 172")
- Door bumper guards and outer arm adapter on "P" series protects the vehicle.
- Steel 3½" diameter pulleys for low maintenance and longer life.
- North American made power pack for dependability. Can be mounted on driver or passenger side for specific applications



**Model Number TLS210Mxx1 - TLS210Sxx1
TLS210MRx1 - TLS210SRx1**

Available Accessories



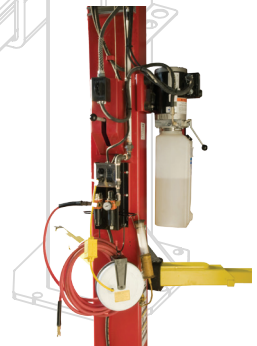
**Outer Arm Adapter
TLS2PHA**



**Door Bumper Guard
TLS2PBG**



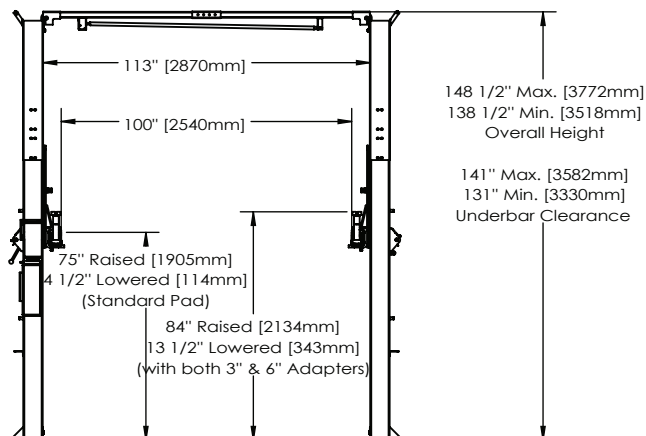
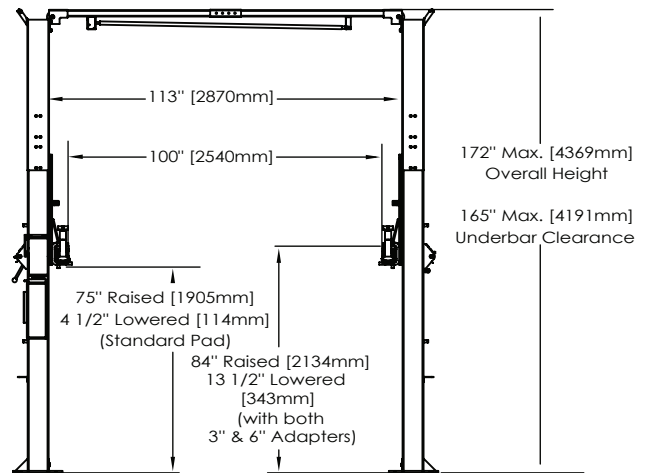
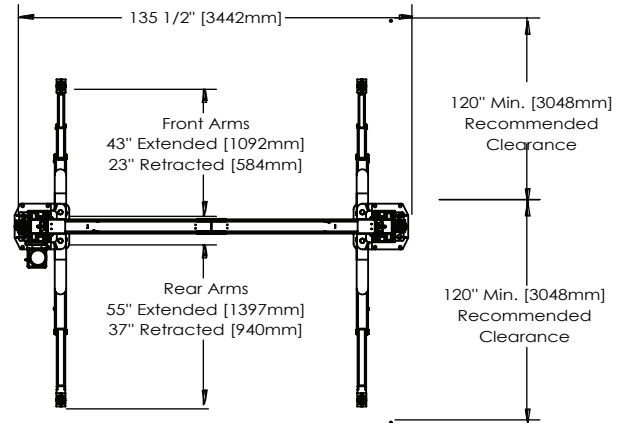
**1½" - 3" - 6" Height Adapters
TLSPSPA136**



**Air - Electric Station
TLS2AES**

TWO POST FEATURES	TLS210SRx1 TLS210MRx1	TLS210MXx1 TLS210SXx1
ALI/ETL Certified		yes
2n1 (asymmetric/symmetric) Lifting		yes
Clear Floor Design		yes
Cable Equalization		yes
Standard Height Model		yes
Extended Height Model (optional)	no	yes - 172" height
Standard Width Model	yes	wider
Stack Pad Adapters (truck adapters)	1 1/2"	1 1/2" & 3" & 6"
Door Bumper Guards		yes
Structural Warranty	1 year	2 years
Hydraulic Parts Warranty	1 year	2 years
Others Parts Warranty	1 year	2 years
Accessories Warranty	90 days	90 days
Labor Warranty		1 year
Optional Blue Paint		yes
Optional 3 Phase Power		yes

SPECIFICATIONS	TLS210SRx1 TLS210MRx1	TLS210MXx1 TLS210SXx1
Capacity	10,000 lbs	
Overall Height	138 1/2" or 148"	138 1/2" - 148 1/2" or 172"
Under Bar Clearance	131" or 141"	
Overall Width	135 1/2"	145 1/2"
Width Between Columns	113"	123"
Drive Thru Width	92"	102"
Height to Lowered Lift Pad	4 1/2"	
Raised Height with Standard Pad	75"	
Raise Height with Adapters	84"	
Lifting Time	55 seconds	
Front Arm Reach	28 1/2" to 42"	
Rear Arm Reach	37" to 55"	
Standard Power Requirements	230V-60Hz-1ph-20A	
Shipping Weight	1,980 lbs.	2,160 lbs



Concrete: Thickness 4" [100mm]
Strength: 4000psi [28MPa]
Aged: 30 days

Electrical: 230V/1Ph/60Hz -20A. (Standard)
230V/3Ph/60Hz- 15A. (Optional)

Total Automotive Lifting Solutions Inc.

